

SENSORTECH

PERFORMANCE

Range	0 - 20 ppm
Maximum overload.....	150 ppm
Sensitivity.....	200 - 600 nA/ppm SO2
Zero in air at 20 °C.....	<±2 ppm SO2
Resolution.....	0.1 ppm SO2
Linearity	linear across range
Response time, t90	<35 s
Long-term output drift.....	<2% signal/month
Warranty	2 years

OPERATING CONDITIONS

Temperature range	-20 to +50 °C
Operating humidity.....	15 - 90% RH (non-condensing)
Pressure range	90 - 110 kPa (nominal)
Operating circuit.....	see Electrochemical Toxic Sensor Application Note
Applied potential	0 V
Storage life.....	6 months in original packaging (0 - 25 °C)

PHYSICAL CHARACTERISTICS

Label colour	silver
Weight.....	5 g approx.
Dimensions	see outline

This device is designed to be RoHS compliant.

CROSS-SENSITIVITY DATA

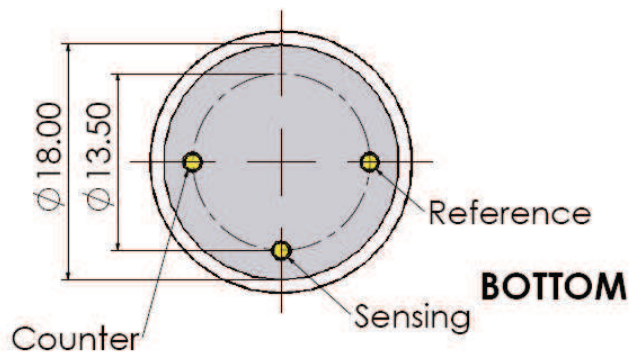
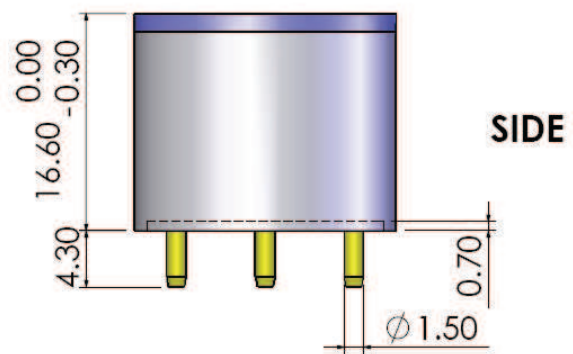
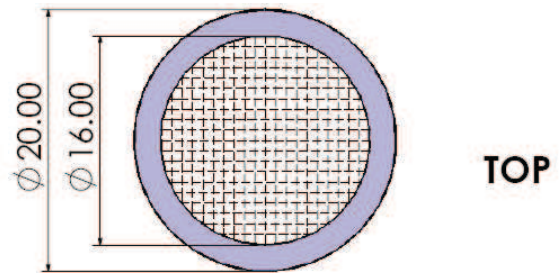
GAS	Concentration (ppm)	Sensor Response (As ppm SO2)
Hydrogen Sulfide	15	0
Nitrogen Dioxide	5	<-5
Carbon Monoxide	300	<3
Nitric Oxide	35	0

Important Note

Do not solder to the connector pins as this may damage the sensor and thereby invalidate the warranty.

Details on recommended connector pins can be found in the Frequently Asked Questions within the Gas Sensor section of the SGX website.

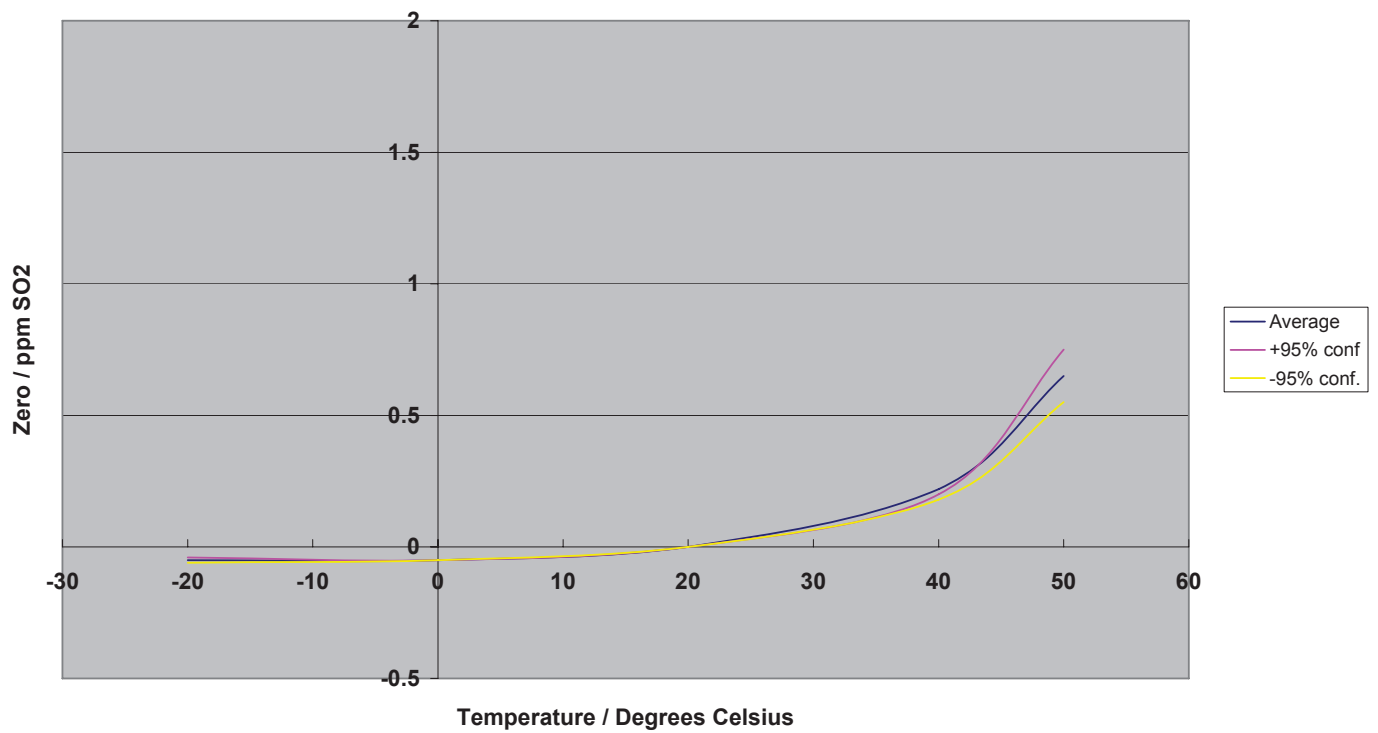
OUTLINE



All dimensions in mm.
All tolerances ±0.15mm unless otherwise stated.

TEMPERATURE DEPENDENCE

EC4-20-SO2 Graph of Zero vs Temperature



EC4-20-SO2 Graph of Sensitivity vs Temperature

