

PERFORMANCE

Range 0 - 1 ppm
 Sensitivity (see note)..... 380 - 540 nA/ppm ClO2
 Zero in air at 20 °C..... <±0.06 ppm ClO2
 Resolution 0.03 ppm ClO2
 Expected lifetime 2 years
 Linearity linear across range
 Response time, t90 <60 s
 Temperature range -20 to +50 °C
 Pressure range 90 – 110 kPa (nominal)
 Humidity range..... 15 - 90% RH (non-condensing)
 Long-term output drift..... change in output per month
 Operating circuit..... see Electrochemical Toxic Sensor
 Application Note

Note: This output current is negative. This is because the sensor reaction is a reduction of the target gas.

OPERATING CONDITIONS

Temperature range -20 to +50 °C
 Operating humidity..... 15 - 90% RH (non-condensing)
 Pressure range 90 - 110 kPa (nominal)
 Operating circuit..... see Electrochemical Toxic Sensor
 Application Note
 Applied potential 0 V
 Storage life..... 6 months in original packaging (0 - 25 °C)

PHYSICAL CHARACTERISTICS

Label colour silver
 Weight..... 6 g
 Dimensions see outline
 Shelf life 6 months

This device is designed to be RoHS compliant.

CROSS-SENSITIVITY DATA

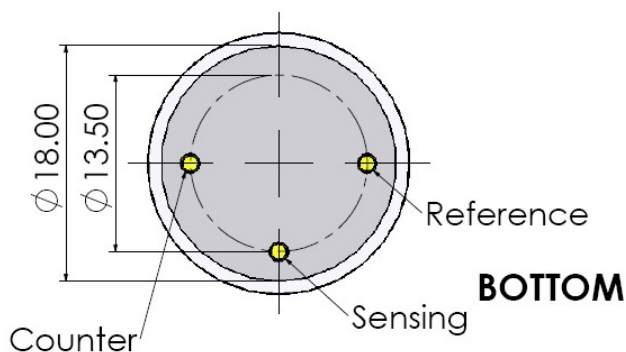
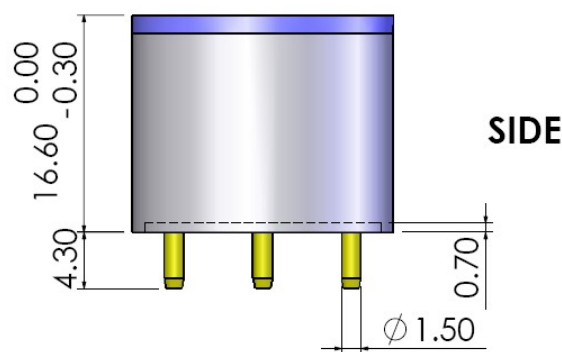
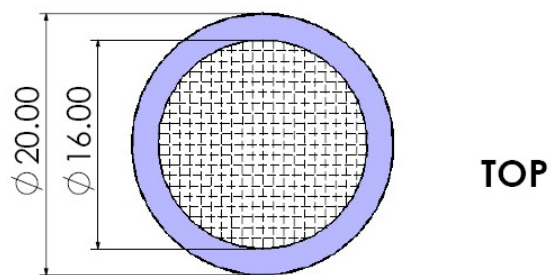
| GAS | Concentration (ppm) | Sensor Response (As ppm ClO2) |
|------------------|----------------------------|--------------------------------------|
| Carbon Dioxide | 500 | 0 |
| Carbon Monoxide | 100 | 0 |
| Chlorine | 1 | 0.35 |
| Hydrogen | 3000 | 0 |
| Hydrogen Sulfide | 20 | -12 |
| Nitrogen Dioxide | 10 | 6 |

Important Note

Do not solder to the connector pins as this may damage the sensor and thereby invalidate the warranty.

Details on recommended connector pins can be found in the Frequently Asked Questions within the Gas Sensor section of the SGX website.

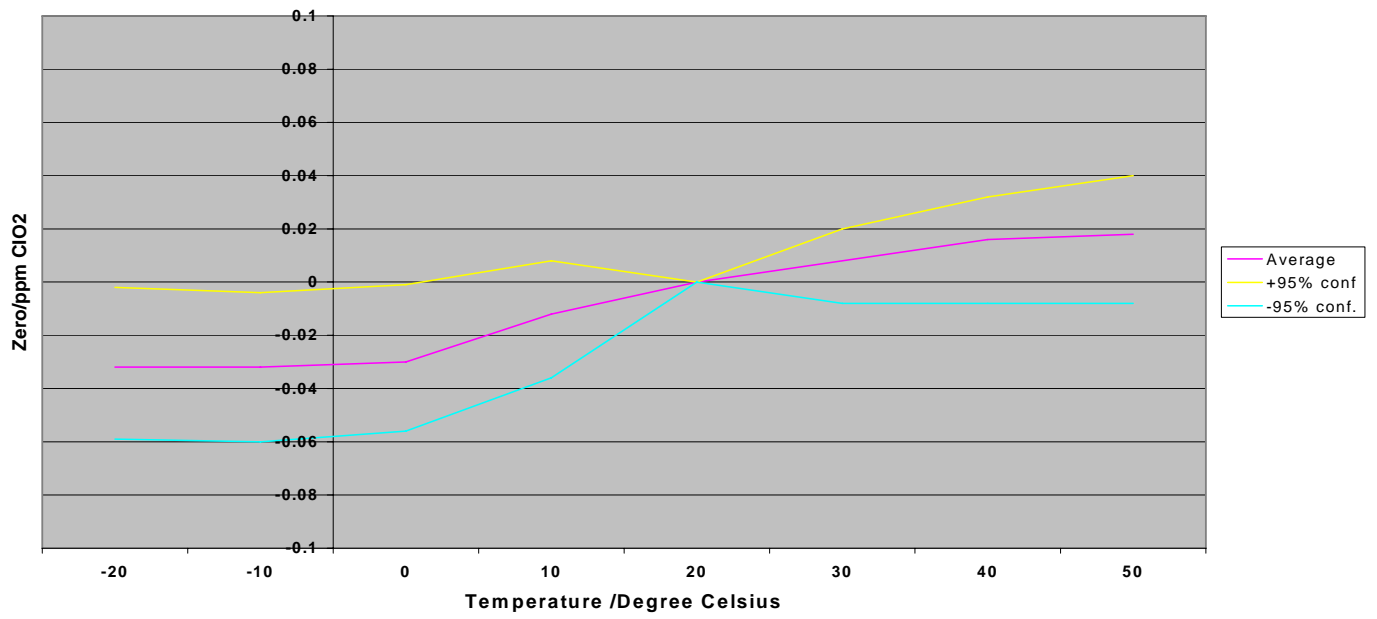
OUTLINE



All dimensions in mm.
 All tolerances ±0.15mm unless otherwise stated.

TEMPERATURE DEPENDENCE

EC4-1-CIO2 Graph of Zero vs Temperature



EC4-1-CIO2 Sensitivity Graph of Sensitivity vs Temperature

